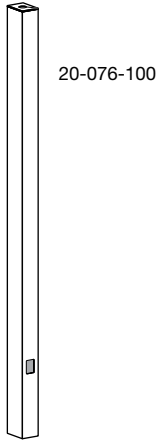


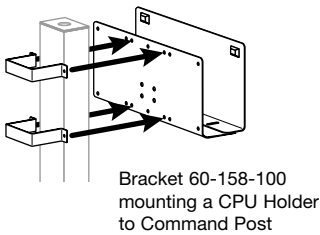
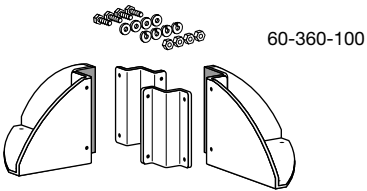
Command Post



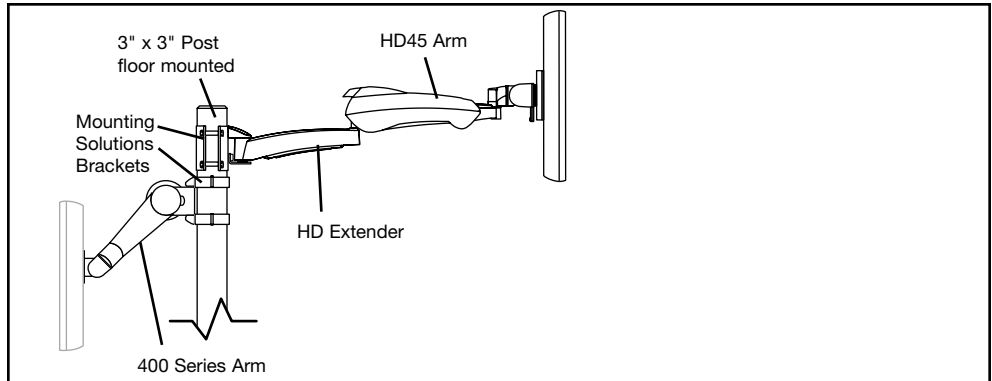
Command Post gives you the flexibility to mount one or more computer systems to a floor, bench, or machine—using little or no floor space. It is constructed from heavy-duty 11-gauge steel for long-lasting durability.

Brackets are required to mount Mounting Solutions and peripherals to the Command Post.

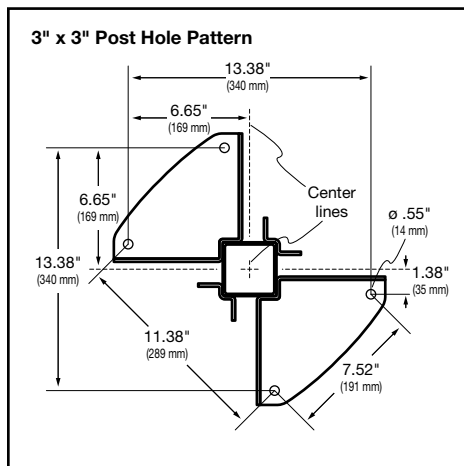
Part Number	Description	Shipping Weight
Post/Base		
Dimensions (H x W x D)		
20-076-100, grey	80" Post, 3" x 3"	80" x 3" x 3" (2032 x 76 x 76 mm)
32 lbs (14.5 kg)		
Bases - Horizontal Surface		
Dimensions (H x W x D)		
60-360-100, grey	Base for 3" x 3" Post	7" x 17" x 17" (178 x 432 x 432 mm)
24 lbs (10.9 kg)		
90-018	Hardware Kit for concrete surface attachment, (4) stud anchors	1 lbs (.5 kg)
Brackets for Mounting Solutions		
Application		
60-366-100, grey	3" x 3" Post Mounting Solutions Bracket	Mounts LX, 200, and 400 Series
4 lbs (1.8 kg)		
60-154-100, grey	3" x 3" Post Mounting Solutions Bracket	Mounts HD Series
4 lbs (1.8 kg)		
Brackets for Peripherals		
Application		
60-158-100, grey	3" x 3" Post Peripheral Bracket	Mounts CPU Holders
3 lbs (1.4 kg)		



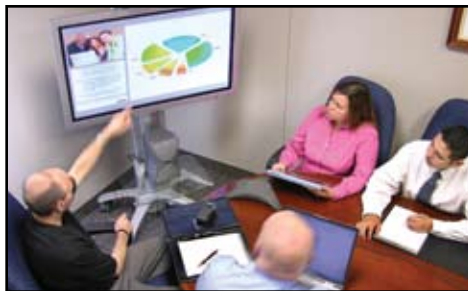
Configuration Examples



Command Post Base



Maximize the effectiveness of your computer systems with Ergotron Products.



Ergotron, Inc. is a Minnesota-based corporation founded in 1982 by Harry C. Sweere. The name Ergotron is derived from the words Ergonomics and Electronics. As the name suggests, Ergotron's mission is to improve the human interface with computers, monitors, TVs, large displays—any video display. Innovative, high quality products offered at an exceptional value are the hallmark of Ergotron.

Ergotron products have been improving the human interface with digital displays for over 20 years. Ergotron's portfolio of digital display mounting solutions includes wall and desk mount arms, desk stands, mobile carts, floor stands, pivots and vertical lifts. With the introduction of patented CF™ lift-and-pivot motion technology, Ergotron's products require less user effort to achieve more motion. Each Ergotron product is designed to enhance the viewing experience, reduce stress and improve productivity in today's computing and entertainment environments.

Headquartered in the United States, Ergotron has a division and four subsidiaries in Europe, and is represented in 67 countries worldwide. We are proud to offer solutions to the Consumer Business Market, Commercial Business Market and the OEM Business Market.

© 2006 Ergotron, Inc.
870-03-005 rev. 08/03/2006

**Content subject to change
without notice.**

Ergotron, Inc.: St. Paul, MN; (800) 888-8458;
www.ergotron.com; sales@ergotron.com

Ergotron Europe: Amersfoort, The Netherlands;
+31 33 45 45 600; info.eu@ergotron.com

Ergotron Asia: (800) 468-3917 ext. 7617;
info.apac@ergotron.com

